

RS & QS - Switch Modules



RS

The Rocker Switch modules RS1 and RS2 are designed to be installed into front panels, multifunction grips or other switching units.

RS1

This module is standard rocker switch with a single switch function in both directions.

RS2

With the RS2 a double switch function is available in both directions.

QS

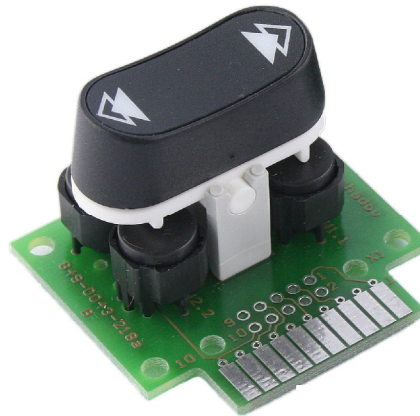
The Quadrant Switch modules QS1 and QS2 are designed to be installed into front panels, multifunction grips or other switching units.

QS1

This module is a quad switch similar to a “mirror switch” made of four K12 switches, designed for 4 switching functions (e.g. for movements in four directions: up, down, left and right).

QS2

This module is similar to the QS1 but has a double switch function and is made up with eight K12 switches allowing additional functions in each direction.



Technical Data

Types	RS1	two K12 switches, one switching function per direction
	RS2	four K12 switches, two switching functions per direction
	QS1	four K12 switches, one switching function per direction
	QS2	eight K12 switches, two switching functions per direction
Dimensions (length, width, height)	RS	43 x 40.7 x 27.55 mm
	QS	58.9 x 43 x 27.5 mm
Operating life	> 1 million cycles	
Operating temperature	- 40°C to 85°C	
- Storage	- 25°C to 85°C	
- Working		
Protection Level	IP65 (from above when mounted with extra sealing)	
Main features of K12	Tactile feedback, positive snap-point (more technical details see datasheet for K12 switches)	

RS & QS - Switch Modules

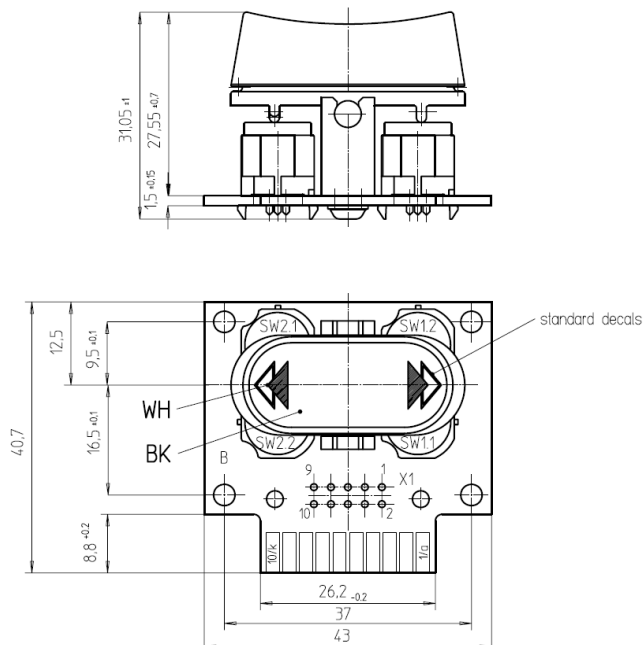


Ordering code		1	2	3	4	5
	Example	RS1	KRSA	BK	S	C
1 Type						
Quadrant Switch (QS)	QS 1 = four K12 switches QS 2 = eight K12 switches					
Rocker Switch (RS)	RS 1 = two K12 switches RS 2 = four K12 switches					
2 Standard cap	KQS1 = for QS KRSA = for RS					
3 Cap colour	BK = black					
4 Cap decals	N = none S = standard decals (arrows)* C... = customized					
5 Module mounted	C = standard mounted					

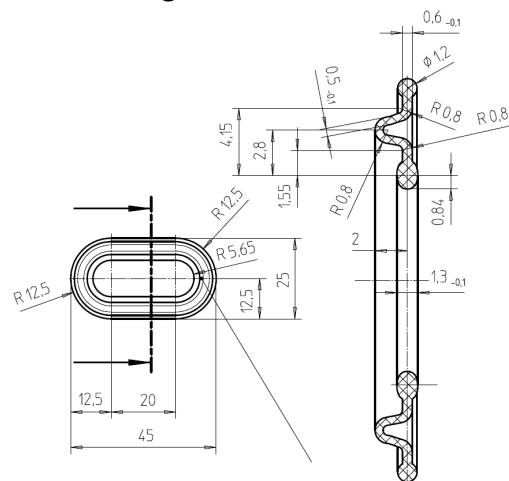
* see drawing below

Rocker Switch

Install dimensions



Sealing



PIN Assignment

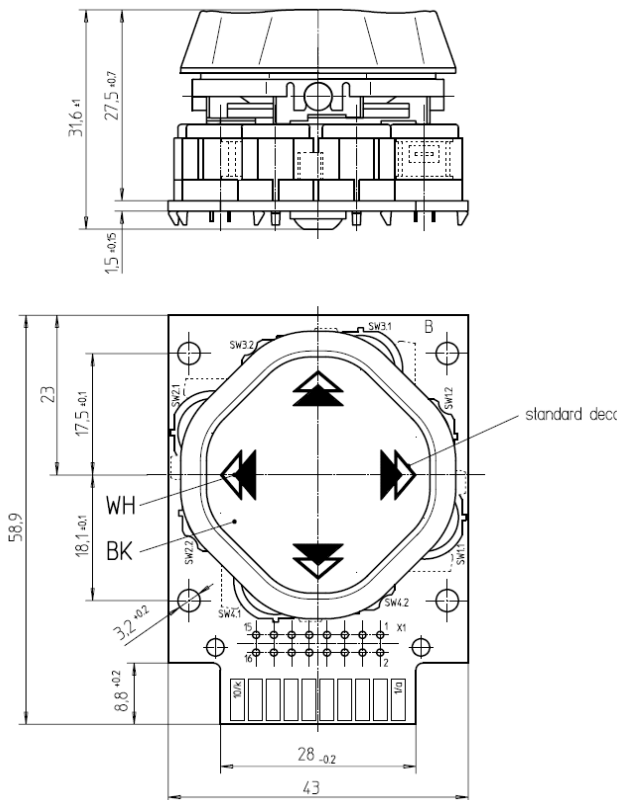
Switch No.	Connector-No.X1		Pad-Bar	
	Input	Output	Input	Output
SW1.1	1	2	1	b
SW1.2	3	4	3	d
SW2.1	7	8	7	8
SW2.2	9	10	h	10

RS & QS - Switch Modules

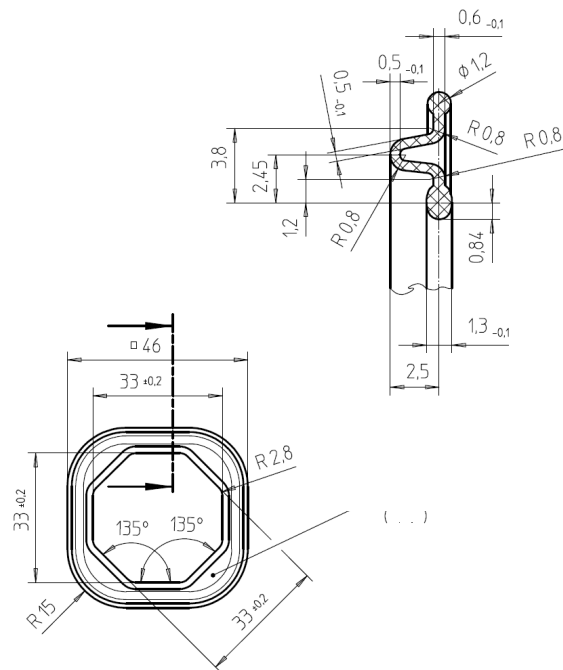


Quadrant Switch

Install dimensions



Sealing



PIN Assignment

Switch Nr.	Connector-No.X1		Pad-Bar	
	Input	Output	Input	Output
SW1.1	2	4	2	3
SW1.2	1	3	b	c
SW2.1	14	16	8	9
SW2.2	13	15	h	i
SW3.1	6	8	4	5
SW3.2	9	11	f	g
SW4.1	10	12	6	7
SW4.2	5	7	d	e

RS & QS - Switch Modules



DeltaTech Controls – A CoActive Technologies Company - **worldwide Facilities**

With sales offices and manufacturing facilities located worldwide, please visit our website at www.deltatechcontrols.com for a complete listing and to find the office nearest to you.

France

2 Boulevard Michaël Faraday
Arlington Square, Bâtiment B
Serris – F 77716 Marne-La Vallée Cedex 4
France
phone: + 33 160 24 51 51
fax: + 33 3 84 69 08 97
Mail: sales.dtc.europe@coactive-tech.com

Germany

Holzhauser Strasse 26-32
D-13509 Berlin
Germany
phone: + 49 30 43 999 0
fax: + 49 30 43 999 203
Mail: sales.dtc.europe@coactive-tech.com

Hong Kong

Office:1007-8
10/F, Harcourt House
39 Gloucester Road
Wanchai, Hong Kong
phone: + 852 3713 5288
fax: + 852 2751 9926
Mail: sales.dtc.asia@coactive-tech.com

Tokyo

9F, Ariake Frontier Building B
3-1-25 Ariake, Koto-ku, Tokyo 135-0063
Japan
phone: +81 3 5530 9365
fax: +81 3 5530 8737
Mail: sales.dtc.japan@coactive-tech.com

USA

5288 Valley Industrial Blvd. S
Shakopee, MN 55379
USA
phone: + 1 952 403 7400
fax: + 1 952 233 9707
Mail: sales.dtc.americas@coactive-tech.com



No information and data contained in this publication shall be construed to create any liability on the part of DeltaTech Controls GmbH. Any new issue of this publication shall automatically invalidate and supersede any and all previous issues. Dimensions are subject to change without prior notice.

All Copyrights belong to DeltaTech Controls GmbH and CoActive Technologies.
All other trademarks or registered trademarks are property of their respective owners.
All data subject to change without notice. ©2009