

# SR3 - Switch Rocker



DTCs SR3 Switch Rockers have been developed to provide the reliability required in demanding environmental conditions such as multifunction grips, dashboards or armrest controls for heavy duty industrial applications.

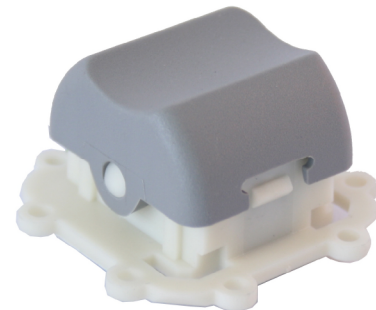
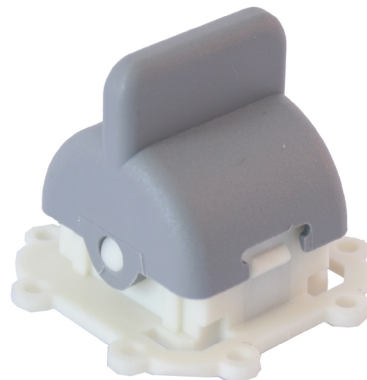
The switching system is distinguished by its high reliability with a life expectation of at least one million operations. The rocker modules have been designed for the typical switching function in 'off-road' machinery and other rough environments.

## Main Features

- Life greater than 1 million cycles
- Precise tactile feedback of switches
- Protection Class IP65
- DTCs K12 switch technology for high reliability

## Custom modifications

- Output characteristics
- Operating force
- Switch characteristics / functions
- Actuator colour



### Electrical Data

Switching current max.	Switch 1	S1: 7 mA (1K3 Ohm)
	Switch 2	S2: 9 mA (680 Ohm)

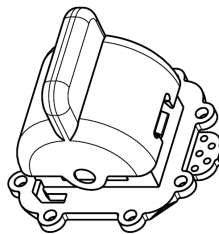
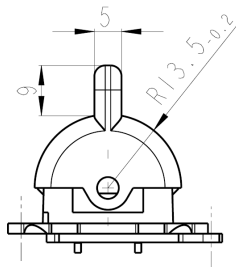
### Mechanical Data

Life	> 1 million cycles
Operating temperature	
- Storage	- 40°C to 85°C
- Working	- 35°C to 70°C
Operating force	5 N
Vertical load maximum	30 N
Protection Level	IP 65 (from above when mounted)
Rocker deflection angle	± 12°

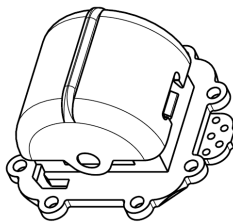
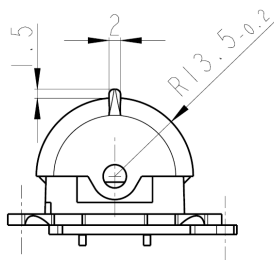
# SR3 - Switch Rocker



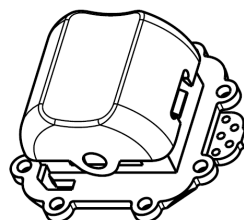
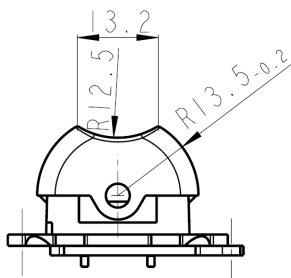
Ordering code		1	2	3	4	5	6	7	
	<b>Example</b>	SR3S	01	GY	5N/5N	01	R	00	M
<b>1 Type</b>	SR3 = switch rocker 3 S = varnished PCB N = non varnished PCB								
<b>2 Actuator Shape</b>	01 = long lever 02 = short lever 05 = thumb lever								
<b>3 Actuator Colour</b>	GY = grey								
<b>4 Operation Force</b>	5N/5N = 5 N left / 5N right								
<b>5 Switch assembly</b>	01 = switch 1 (S1) K12P BK 1 5N switch 2 (S2) K12P BK 1 5N								
<b>6 Output</b>	R = resistor (Ohm)								
<b>Output configuration</b>	00 = 0 Ohm 01 = S1: 1K3 Ohm S2: 680 Ohm								
<b>7 Mechanical function</b>	M = left / right momentary (center turn position)								



Module actuator shape 01

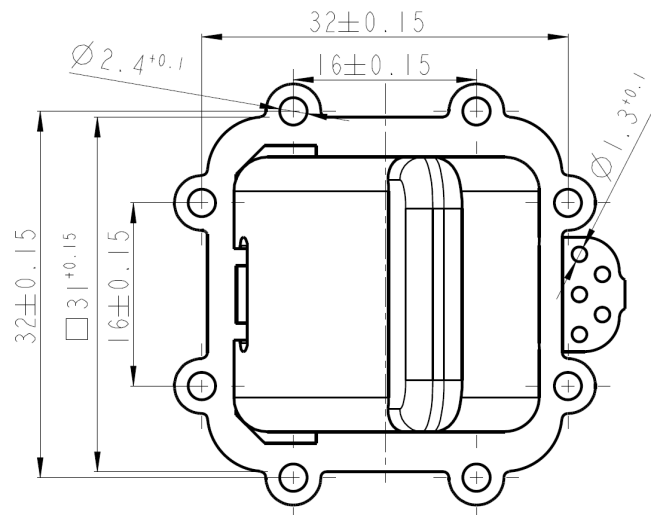
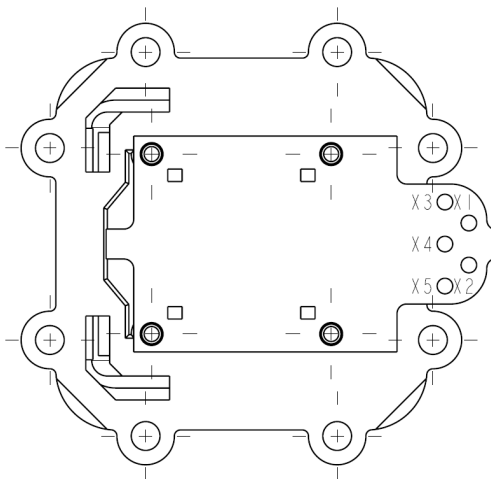
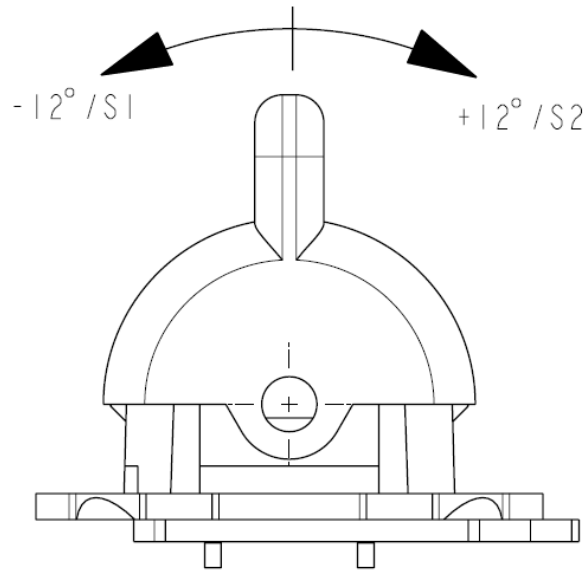


Module actuator shape 02



Module actuator shape 05

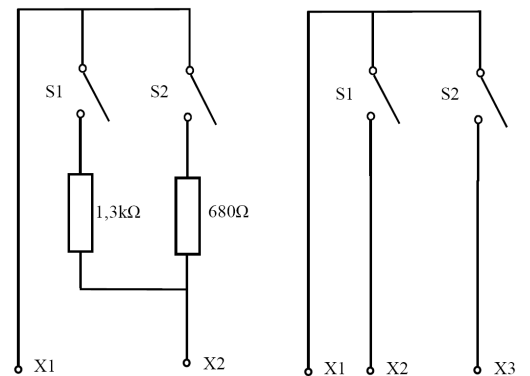
# SR3 - Switch Rocker



## Pin Assignment:

PIN	ALLOCATION	FUNCTION
X5	S3_I S3_ext	RESERVED
X4	S3_VCC S3_ext	RESERVED
X3	S2_OUT	OUTPUT PUSHBUTTON S2
X2	S1_OUT	OUTPUT PUSHBUTTON S1
X1	VCC_IN	VOLTAGE SUPPLY

## Output Configuration:



**R01**

**R00**

# SR3 - Switch Rocker



**DeltaTech Controls – A CoActive Technologies Company - worldwide Facilities**

With sales offices and manufacturing facilities located worldwide, please visit our website at [www.deltatechcontrols.com](http://www.deltatechcontrols.com) for a complete listing and to find the office nearest to you.

**France**

2 Boulevard Michaël Faraday  
Arlington Square, Bâtiment B  
Serris – F 77716 Marne-La Vallée Cedex 4  
France  
phone: + 33 160 24 51 51  
fax: + 33 3 84 69 08 97  
Mail: [sales.dtc.europe@coactive-tech.com](mailto:sales.dtc.europe@coactive-tech.com)

**Germany**

Holzhauser Strasse 26-32  
D-13509 Berlin  
Germany  
phone: + 49 30 43 999 0  
fax: + 49 30 43 999 203  
Mail: [sales.dtc.europe@coactive-tech.com](mailto:sales.dtc.europe@coactive-tech.com)

**Hong Kong**

Office:1007-8  
10/F, Harcourt House  
39 Gloucester Road  
Wanchai, Hong Kong  
phone: + 852 3713 5288  
fax: + 852 2751 9926  
Mail: [sales.dtc.asia@coactive-tech.com](mailto:sales.dtc.asia@coactive-tech.com)

**Tokyo**

9F, Ariake Frontier Building B  
3-1-25 Ariake, Koto-ku, Tokyo 135-0063  
Japan  
phone: +81 3 5530 9365  
fax: +81 3 5530 8737  
Mail: [sales.dtc.japan@coactive-tech.com](mailto:sales.dtc.japan@coactive-tech.com)

**USA**

5288 Valley Industrial Blvd. S  
Shakopee, MN 55379  
USA  
phone: + 1 952 403 7400  
fax: + 1 952 233 9707  
Mail: [sales.dtc.americas@coactive-tech.com](mailto:sales.dtc.americas@coactive-tech.com)



No information and data contained in this publication shall be construed to create any liability on the part of DeltaTech Controls GmbH. Any new issue of this publication shall automatically invalidate and supersede any and all previous issues. Dimensions are subject to change without prior notice.

All Copyrights belong to DeltaTech Controls GmbH and CoActive Technologies.  
All other trademarks or registered trademarks are property of their respective owners.  
All data subject to change without notice. ©2009