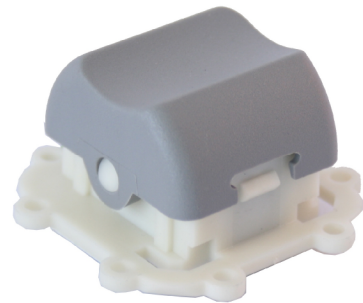
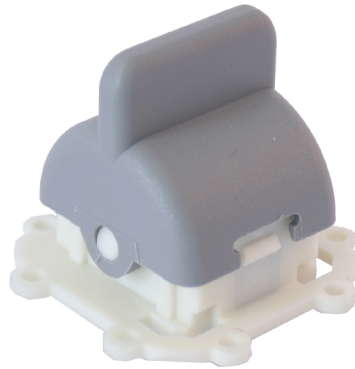


SR3 Switch Rocker



The SR3 Switch Rockers from DeltaTech Controls have been developed to provide the reliability required in demanding environmental conditions such as multifunction grips, dashboards or armrest controls for heavy duty industrial applications.

The switching system is distinguished by its high reliability with a life expectation of at least one million operations. The rocker modules have been designed for the typical switching function in 'off-road' machinery and other rough environments.



Main Features

- Life greater than 1 million cycles
- Precise tactile feedback of switches
- Protection Class IP65
- DTCs K12 switch technology for high reliability

Custom modifications

- Output characteristics
- Operating force
- Switch characteristics / functions
- Actuator colour

Electrical Data

Switching current max.	Switch 1	S1: 7 mA (1K3 Ohm)
	Switch 2	S2: 9 mA (680 Ohm)

Mechanical Data

Life	> 1 million cycles
------	--------------------

Operating temperature	
- Storage	- 40°C to 85°C
- Working	- 35°C to 70°C

Operating force	5 N
-----------------	-----

Vertical load maximum	30 N
-----------------------	------

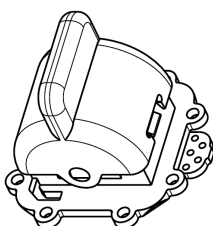
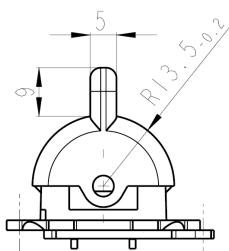
Protection Level	IP 65 (from above when mounted)
------------------	---------------------------------

Rocker deflection angle	± 12°
-------------------------	-------

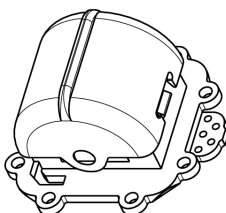
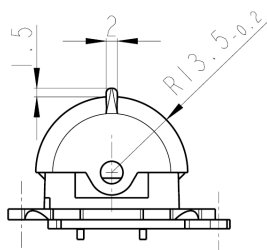
SR3 Switch Rocker



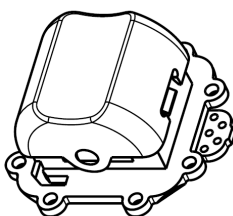
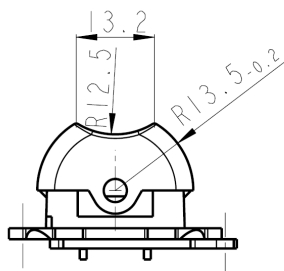
Ordering code		1	2	3	4	5	6	7
	Example	SR3S	01	GY	5N/5N	01	R 00	M
1 Type	SR3 = switch rocker 3 S = varnished PCB N = non varnished PCB							
2 Actuator Shape	01 = long lever 02 = short lever 05 = thumb lever							
3 Actuator Colour	GY = grey							
4 Operation Force	5N/5N = 5 N left / 5N right							
5 Switch assembly	01 = switch 1 (S1) K12P BK 1 5N switch 2 (S2) K12P BK 1 5N							
6 Output	R = resistor (Ohm)							
Output configuration	00 = 0 Ohm 01 = S1: 1K3 Ohm S2: 680 Ohm							
7 Mechanical function	M = left / right momentary (center turn position)							



Module actuator shape 01

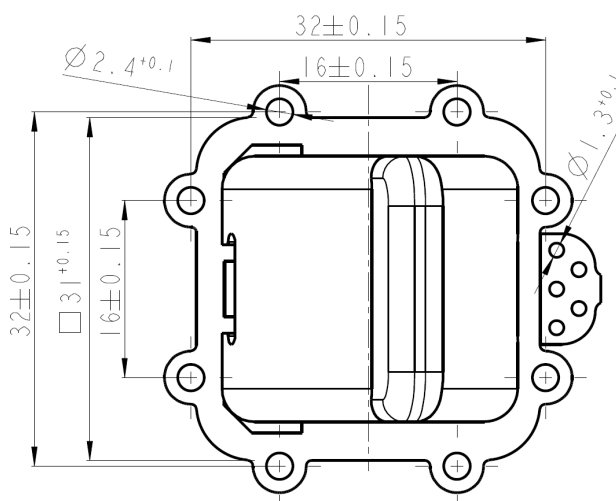
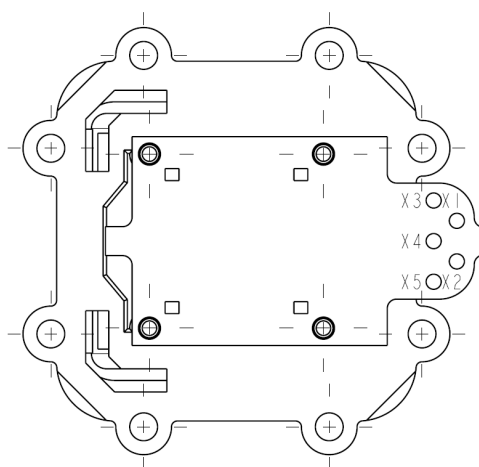
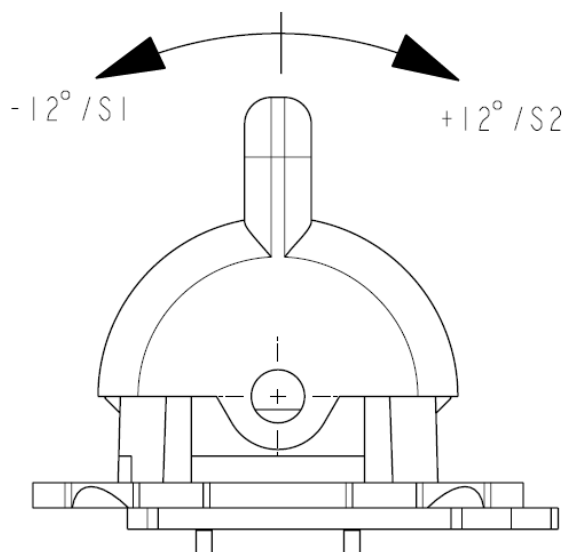


Module actuator shape 02



Module actuator shape 05

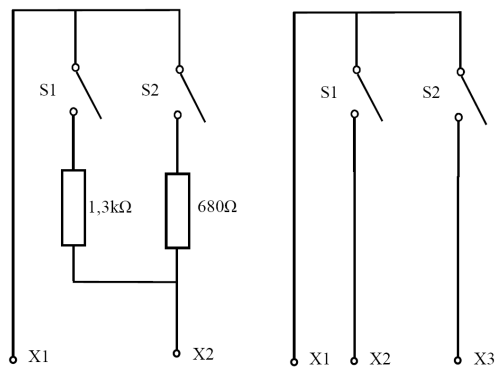
SR3 Switch Rocker



Pin Assignment:

PIN	ALLOCATION	FUNCTION
X5	S3_I S3_ext	RESERVED
X4	S3_VCC S3_ext	RESERVED
X3	S2_OUT	OUTPUT PUSHBUTTON S2
X2	S1_OUT	OUTPUT PUSHBUTTON S1
X1	VCC_IN	VOLTAGE SUPPLY

Output Configuration:



R01

R00

SR3 Switch Rocker



DeltaTech Controls – A CoActive Technologies Company - **worldwide Facilities**
With sales offices and manufacturing facilities located worldwide, please visit our website at www.deltatechcontrols.com for a complete listing and to find the office nearest to you.

France

2 Boulevard Michaël Faraday
Arlington Square, Bâtiment B
Serris – F 77716 Marne-La Vallée Cedex 4
France
phone: + 33 160 24 51 51
fax: + 33 3 84 69 08 97
Mail: sales.dtc.europe@coactive-tech.com

Germany

Holzhauser Strasse 26-32
D-13509 Berlin
Germany
phone: + 49 30 43 999 0
fax: + 49 30 43 999 203
Mail: sales.dtc.europe@coactive-tech.com

USA

5288 Valley Industrial Blvd. S
Shakopee, MN 55379
USA
phone: + 1 952 403 7400
fax: + 1 952 233 9707
Mail: sales.dtc.americas@coactive-tech.com

Japan

9F, Ariake Frontier Building B
3-1-25 Ariake, Koto-ku, Tokyo 135-0063
Japan
phone: + 81 3 5530 9365
fax: + 81 3 5530 8737
Mail: sales.dtc.asia@coactive-tech.com

China

Rm.2209
4 Gongti Donglu Chaoyang District,
Beijing, P.R.China 100027
phone: + 86 10 65007958 / 65007962 Ext.21
fax: + 86 10 65007958 / 65007962 Ext.17
Mail: sales.dtc.asia@coactive-tech.com

Korea

903Ho 106 Dong, Kolon Apt
Guun-Dong, KwonSeon-Gu,
SuWon-Si, KyeongGi-Do
Korea 441-340
phone: + 82 31 891 1141
fax: + 82 31 302 1141
Mail: sales.dtc.asia@coactive-tech.com

No information and data contained in this publication shall be construed to create any liability on the part of DeltaTech Controls GmbH. Any new issue of this publication shall automatically invalidate and supersede any and all previous issues. Dimensions are subject to change without prior notice.

All Copyrights belong to DeltaTech Controls GmbH and CoActive Technologies.
All other trademarks or registered trademarks are property of their respective owners.
All data subject to change without notice. ©2010