

AR5 Analog Rocker



The AR5 Analog Rocker from DeltaTech Controls has been developed to provide the reliability required in demanding environments - such as dashboards or armrest controls - for heavy duty industrial and off-road applications.

The unique design makes the rocker module an ideal proportional function solution for off-road machinery for cost-effective custom designs. The AR5 has been designed to simplify the customization of fingertip rockers in an off-road vehicle application.



AR5 with standard lever

Main Features

- Contactless sensing – Hall effect
- Rocker life > 2 million cycles
- Optional:
 - detent, life > 200K cycles
 - latching, life > 100K cycles
- Single sensor – optional second sensor for redundancy
- Integrated temperature compensation
- Short circuit protection
- Ideal solution for fingertip rocker designs
- Potted electronics

Custom modifications

- Deflection angle
- Detent / Latching detent
- Lever design allows for usage of longer levers
- Connector / Harness

Electrical Data		
Supply Ratings	Voltage range DC current	8,5V ... 30V or 5.0 V \pm 5% 50 mA at 24V
Voltage Output	Output 1 Output 2*	0.5V ... 4.5V at 5Vcc 4.5V ... 0.5V at 5Vcc Output proportional to Vcc
Pull-down resistor	Recommendation	4.7k Ω
Output current		1 mA max.
Other electrical Characteristics	EMI	> 100 V/m
Mechanical Data		
Life:	- rocker - detent - latching	> 2 million cycles > 200k cycles > 100k cycles
Operating temperature		- 40°C to 85°C
- Storage		- 40°C to 85°C
- Working		
Operating force		4-6 N
Vertical load maximum		30 N
Protection Level		IP 67
Rocker deflection angle		\pm 40° max.

* for redundant version

AR5 Analog Rocker

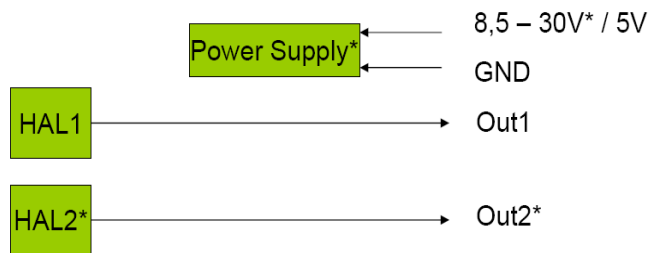


Order Code

Ordering code		1	2	3	4	5	6	7	8	9	10
	Example	AR5	S	40/40	xN	D26/26	L32/32	1	V	2	00
1 Type	AR5 = analog rocker 5										
2 Lever	C = customized lever S = standard lever										
3 Deflection Angle	40/40 = ± 40° x/x = customized ± 0-40° (left/right)										
4 Operation Force	xN = operation force depends on lever										
5 Detent*	-/- = no detent D26/26 = standard ± 26° detent Dx/x = customized ± x° detent										
6 Latching *	-/- = no latching L32/32 = standard ± 32° latching Lx/x = customized ± x° latching										
7 Electrical supply	0 = voltage 9 ... 30 V 1 = 5 V ± 5%										
8 Output	V = voltage										
9 Sensors	1 = 1 sensor 2 = 2 sensors (for redundancy)										
10 Output Voltage Cod	00 = output 1 / 0.5V ... 4.5V; 1mA output 2 / 4.5V ... 0.5V; 1mA 02 = output 1 / 0.5V ... 4.5V; 1mA 03 = output 1 / 4.5V ... 0.5V; 1mA										

* detent and latching positions must be taught-in in application

Block Schematic



* Optional

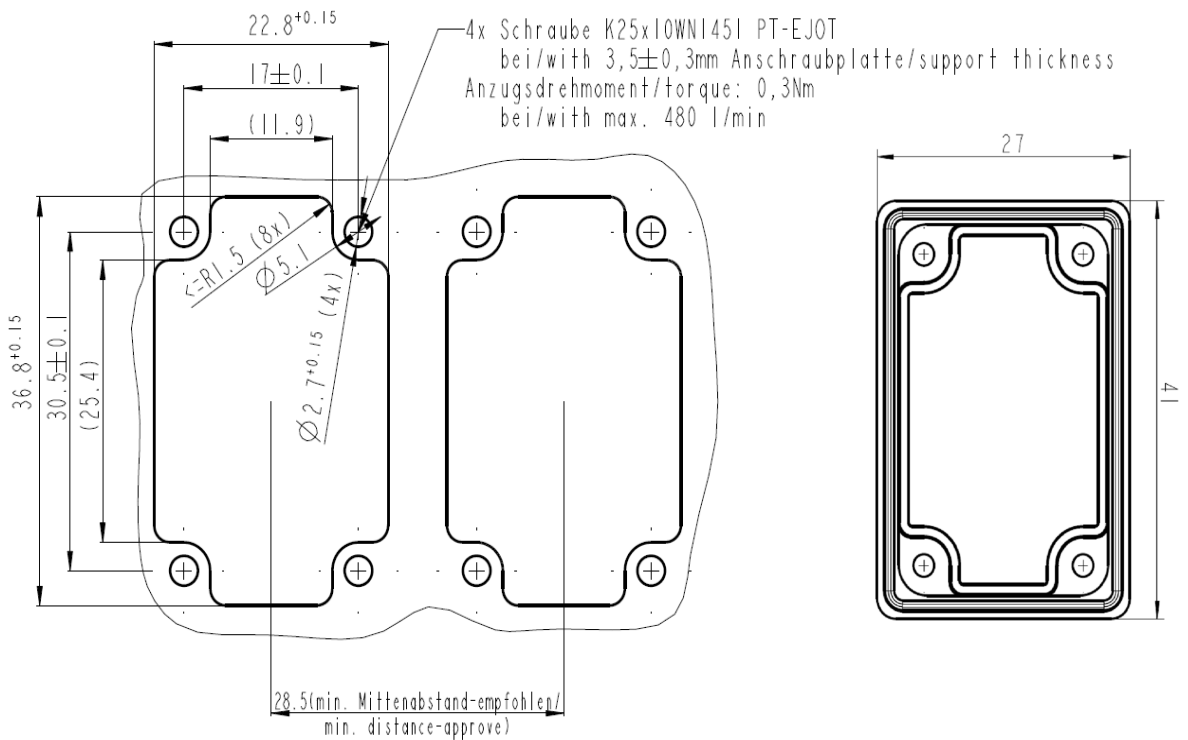
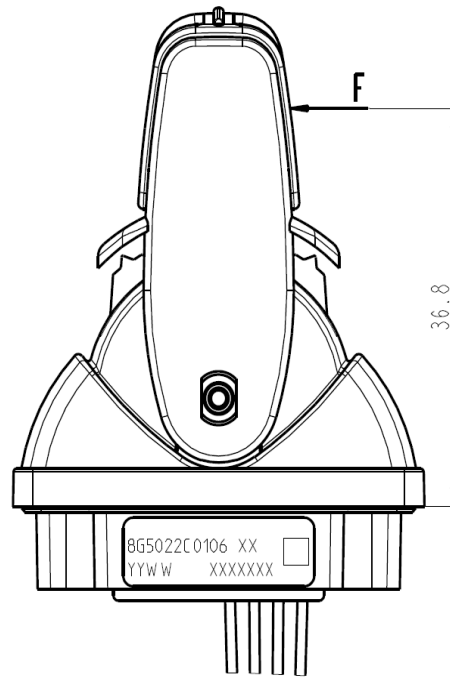
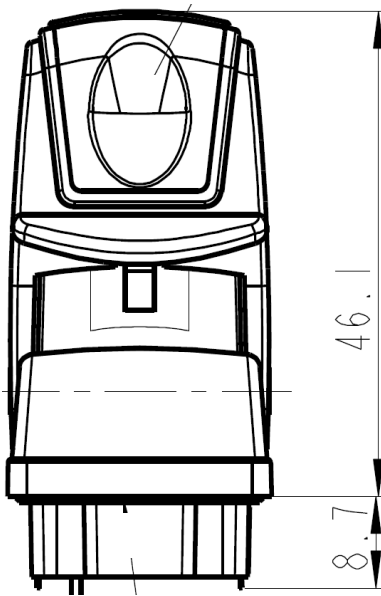
Pin Assignment

Pin	Signal	Function 8,5 -30V	Function 5V
1	Ub *	Supply Voltage	Not connected
2	GND	Reference Ground	Reference Ground
3	Vcc *	Reserved (do not connect)	Supply Voltage
4	Out1	Output Signal	Output Signal
5	Out2*	Optional redundant Output Signal	Optional redundant Output Signal

AR5 Analog Rocker



Install dimensions



AR5 Analog Rocker



DeltaTech Controls – A CoActive Technologies Company - **worldwide Facilities**

With sales offices and manufacturing facilities located worldwide, please visit our website at www.deltatechcontrols.com for a complete listing and to find the office nearest to you.

France

2 Boulevard Michaël Faraday
Arlington Square, Bâtiment B
Serris – F 77716 Marne-La Vallée Cedex 4
France
phone: + 33 160 24 51 51
fax: + 33 3 84 69 08 97
Mail: sales.dtc.europe@coactive-tech.com

Germany

Holzhauser Strasse 26-32
D-13509 Berlin
Germany
phone: + 49 30 43 999 0
fax: + 49 30 43 999 203
Mail: sales.dtc.europe@coactive-tech.com

USA

5288 Valley Industrial Blvd. S
Shakopee, MN 55379
USA
phone: + 1 952 403 7400
fax: + 1 952 233 9707
Mail: sales.dtc.americas@coactive-tech.com

Japan

9F, Ariake Frontier Building B
3-1-25 Ariake, Koto-ku, Tokyo 135-0063
Japan
phone: + 81 3 5530 9365
fax: + 81 3 5530 8737
Mail: sales.dtc.asia@coactive-tech.com

China

Rm.2209
4 Gongti Donglu Chaoyang District,
Beijing, P.R.China 100027
phone: + 86 10 65007958 / 65007962 Ext.21
fax: + 86 10 65007958 / 65007962 Ext.17
Mail: sales.dtc.asia@coactive-tech.com

Korea

903Ho 106 Dong, Kolon Apt
Guun-Dong, KwonSeon-Gu,
SuWon-Si, KyeongGi-Do
Korea 441-340
phone: + 82 31 891 1141
fax: + 82 31 302 1141
Mail: sales.dtc.asia@coactive-tech.com

No information and data contained in this publication shall be construed to create any liability on the part of DeltaTech Controls GmbH. Any new issue of this publication shall automatically invalidate and supersede any and all previous issues. Dimensions are subject to change without prior notice.

All Copyrights belong to DeltaTech Controls GmbH and CoActive Technologies.
All other trademarks or registered trademarks are property of their respective owners.
All data subject to change without notice. ©2010